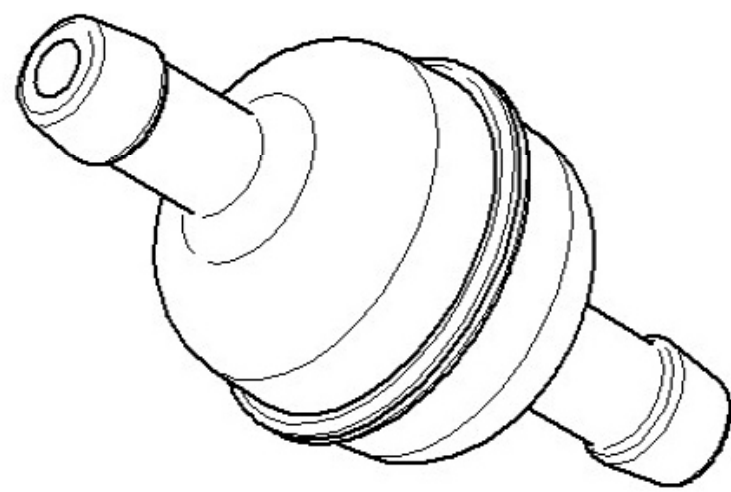
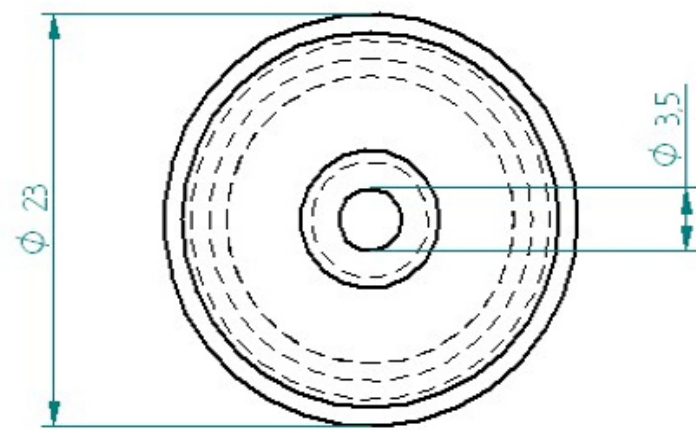
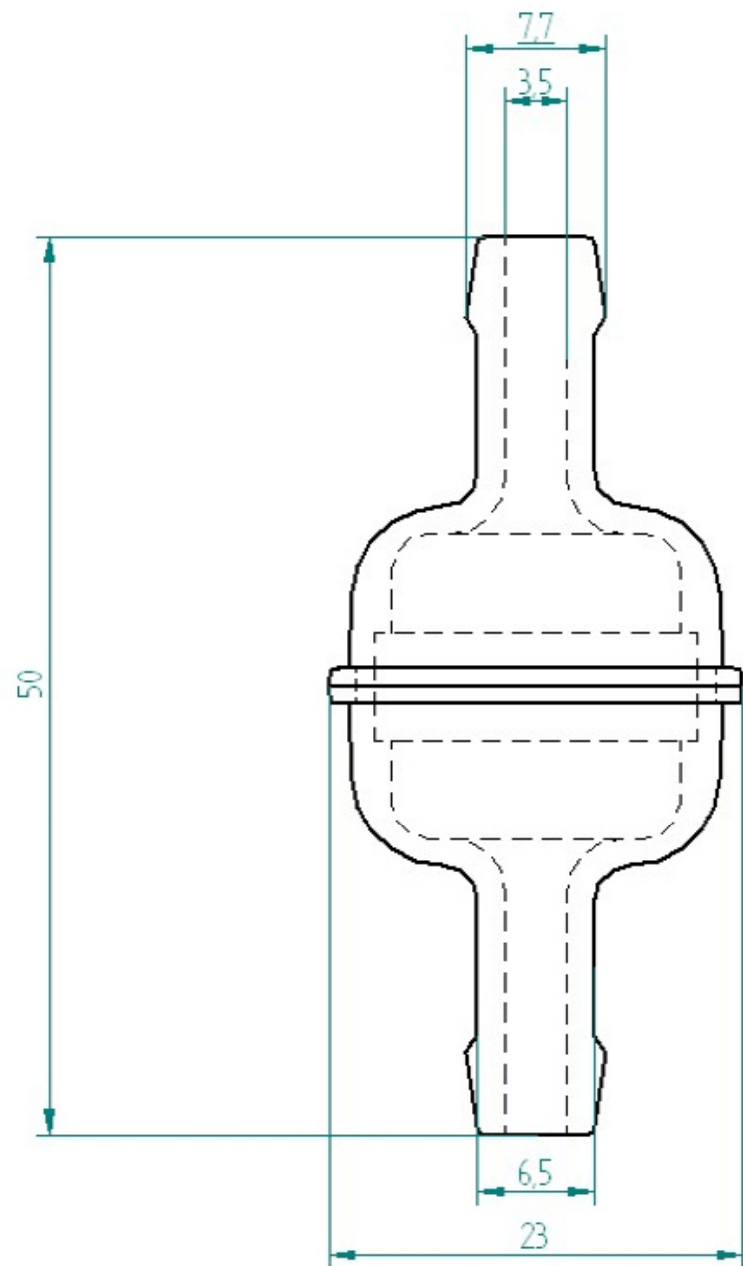


REVISION HISTORY			
REV	DESCRIPTION	DATE	APPROVED



DATE	NAME	DATE	SOLID EDGE	
05/23/15	nicollet		UGS - The PLM Company	
			TITLE	
			FILE NAME: PL_100_PLR.djt	
UNLESS OTHERWISE SPECIFIED DIMENSIONS ARE IN MILLIMETERS ANGLES=XX°			SCALE:	WEIGHT:
2 PL=XXX 3 PL=XXXX				SHEET 1 OF 1